

BOOTHS-UNIVERSAL
(INDOOR-OUTDOOR) KS-16797
IDENTIFICATION

1. GENERAL

1.01 This section is reissued to:

- (a) Change format of text
- (b) Add ordering information
- (c) Add list numbers and information of panels and signs
- (d) Add KS-16797, List 74 directory rack
- (e) Add KS-16797, List 75 shelf
- (f) Add KS-19207, List 6 light fixture.

1.02 The KS-16797 booth (Fig. 1) is a compact aluminum and glass telephone booth suitable for indoor and outdoor use in single or multiple installations.

1.03 This booth is available in two variations:

- (a) *List 1*, in a dull satin finish, anodized aluminum finish, or in any color enamel desired.
- (b) *List 6*, in a bright, lustrous anodized finish.

1.04 The KS-16797 booth consists essentially of an aluminum framework in which clear laminated or tempered glass panels, red, green, or blue porcelain enamel metal panels, or aluminum faced panels may be installed. The booth is provided with a KS-19207, List 6 light fixture, an aluminum alloy floor, a B-190387-2 backboard assembly (for mounting of coin collector), and self-closing doors that consist of two vertical sections, each mounting two clear safety glass panels, that fold inside the booth.

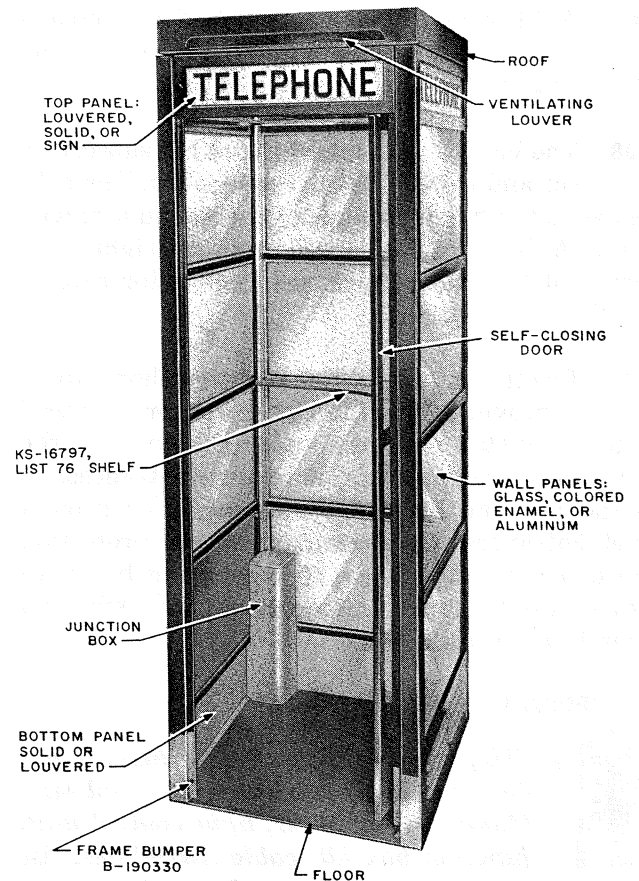


Fig. 1 — KS-16797, List 1 Booth

1.05 The over-all dimensions of this booth are:

- Height (low roof) 86 inches
(high roof) 87-1/2 inches
- Width (at roof) 28-3/4 inches
- Width (at base) 28-3/4 inches

1.06 Power and telephone wire entrance holes are located in several locations:

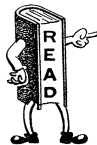
- (a) Through entrance holes located at right rear or right side of the roof assembly (for overhead entrance).
- (b) Through entrance holes located in the list 23 or list 123 solid bottom panels (for ground level entrance).
- (c) Through metallic conduit to holes provided in the left rear corner of the booth floor (for underground entrance).

1.07 A 115-volt duplex receptacle for electrical wiring is provided under the roof on the ceiling assembly.

1.08 The booth is furnished wired for subscriber set and coin collector connections. The subscriber set is mounted under the shelf on a hinged plate. A backboard mounted in the right rear corner of the booth provides facilities for mounting the coin collector.

1.09 Electrical protection (for telephone line) is provided by a 123A1A protector. The protector is installed either under the roof on the ceiling for overhead telephone wire entrances, or in the junction box for underground or ground level entrances. Booths requiring no protection can be equipped with a 42A connecting block. In either case they must be ordered separately and their location specified.

2. ORDERING INFORMATION



Side, rear, and bottom panels; glass door panels; telephone signs and sign blanks, seat, blower, light control unit, junction box kit, cable assemblies, list 8 window frame, foundation templates, multiple booth assembly kit, 123A1A station protector or a 42A connecting block are not furnished as part of booth. Orders for booth should indicate what accessories are required and the location of the item.

2.01 Orders for booths to be equipped with a variety of panels, telephone signs, or sign blanks must specify the desired location of the panel, sign, or sign blank.

Examples of Typical Orders

Example 1:

- 1 – Booth, Telephone, KS-16797, L1
Equipped with:
- 1 – Panel, Telephone Sign, KS-14611, L26
 - 3 – Panels, Telephone Sign, KS-14611, L29
 - 3 – Panels, KS-14611, L93
 - 9 – Panels, KS-14611, L17
 - 3 – Panels, Bottom (Louvered), KS-14611, L51
 - 4 – Panels, KS-14611, L18

Panels should be located as follows:

KS-14611, L93 – One in lower left side, one in lower right, one in lower rear.

Example 2:

- 1 – Booth, Telephone KS-16797, L6
Equipped with:
- 1 – Panel, Telephone Sign, KS-14611, L26
 - 3 – Panels, Telephone Sign, KS-14611, L29
 - 3 – Panels, KS-14611, L93
 - 9 – Panels, KS-14611, L17
 - 3 – Panels, Bottom (Louvered), KS-14611, L151
 - 4 – Panels, KS-14611, L18

Panels shall be located as follows:

KS-14611, L93 – One in lower left side, one in lower right, one in lower rear.

2.02 For quick reference and identification Table A includes all available list numbers, in numerical order, of booths, accessories, and finishes. All numbers in the 100 series are for list 6 booths only.

2.03 Tables B, C, D, and E contain panel information. These panels are common to both the KS-16797 universal and the KS-14611 outdoor booth. Items having a list number must be associated with the KS-14611 number for ordering purposes.

TABLE A

KS-16797 LIST NUMBERS

List	Description	Remarks
1	Booth	Indoor or outdoor use
6	Booth	Indoor or outdoor (lustrous finish)
7	Foundation Template	May be used in outdoor concrete base preparation
8	Frame	Used instead of double panels between adjoining booths in multiple installations
9	Blower	Ventilation
11	Multiple Assembly Kit	Used to join booths at multiple installations
12	Sign Blank	Used instead of regular telephone sign panels for fastening booths together at the top in multiple assemblies
14	Cable Assembly	Used as power interconnection in multiple installations
15	Cable Assembly	Used for power entry (indoor booths only)
16	Seat	Vinyl-covered steel for sit-down use
17	Directory Shelf	Corrosion-resistant steel for directory use (indoor only)
19	Mounting Plate	Anodized aluminum, used in lieu of KS-14611 type panel when list 16 seat is installed
20	Mounting Plate	Anodized aluminum, used in lieu of KS-14611 type panel when list 17 shelf is installed. May be finished to match booth finish
21	Junction Box Kit	Anodized, used for underground or ground level power and telephone wire entrance
22	Bottom Panel	Solid, right side entrance, when junction box kit is used
23	Bottom Panel	Solid, rear entrance, when junction box kit is used
60 61 62	Red Blue Green	Enameled finish for booth and certain accessory items
63	Clear	Clear lacquer finish for protective coating applied over anodized surface
74	Directory Rack	Corrosion-resistant steel
75	Shelf	Corrosion-resistant steel, used with L74 Directory Rack
76	Shelf	Corrosion-resistant steel, used when Directory Rack is not used
108	Frame	Lustrous finish; see list 8
119	Mounting Plate	Lustrous finish (use with list 16 seat); see list 19
120	Mounting Plate (Shelf)	Lustrous finish (use with list 17 shelf); see list 20
121	Junction Box Kit	Lustrous finish anodized; see list 21
122	Bottom Panel	Lustrous finish; see list 22
123	Bottom Panel	Lustrous finish; see list 23

Note: All list numbers in the 100 series are for list 6 booth only.

3. PANELS

Telephone Sign Panels and Blanks

3.01 The top panel spaces are primarily for telephone sign panels, and the front space is always equipped with a telephone sign panel. If booth is located so side or rear sign panel would be of little or no value, a sign blank may be used. Sign blanks may be either solid or louvered for additional ventilation. List numbers for telephone sign panels are shown in Table B.

TABLE B
TELEPHONE SIGN PANELS

KS-14611 List No.	Color		Used In
	Letters	Background	
21	White	Black	Front Only
22	White	Red	
23	White	Blue	
24	White	Green	
25	Green	White	
26	Blue	White	
27	Red	White	
56	Black	White	
28	Green	White	Sides and Rear
29	Blue	White	
30	Red	White	
31	White	Black	
32	White	Red	
33	White	Blue	
34	White	Green	
57	Black	White	
76	White	Black	Front Only
77	White	Red	
78	White	Blue	
79	White	Green	
80	Green	White	
81	Blue	White	
82	Red	White	
83	Black	White	
84	Green	White	Sides and Rear
85	Blue	White	
86	Red	White	
87	White	Black	
88	White	Red	
89	White	Blue	
90	White	Green	
91	Black	White	

Note: List 21 through list 57 panels are 7/32 inch thickness.

Note: List 76 through list 91 panels are 1/4 inch thickness.

3.02 List number assigned to sign blanks:

Solid

- KS-14611, List 35 for use with list 1 booth
- KS-14611, List 35 for use with list 6 booth

Louvered

- KS-14611, List 49 for use with list 1 booth
- KS-14611, List 149 for use with list 6 booth

3.03 A KS-16797, List 12 sign blank (with bolt holes) is available for fastening booths together at the top in multiple assemblies.

Side and Rear Panels

3.04 Twelve side and rear panels of equal size make up the walls of booth. Type and location of desired side and rear panels must be specified on order. List numbers assigned to these panels are shown in Table C.

TABLE C
SIDE AND REAR PANELS

KS-14611 List No.	Type	Color
11	Tempered Glass	Clear
16	Metal Face	Aluminum
17	Tempered Safety Glass 7/32 inch thick	Clear
73*	Tempered Safety Glass	Yellow
74	Tempered Safety Glass 1/4 inch thick	Clear
92	Porcelain-Metal	Red
93		Blue
94		Green

* "Yellow Pages" advertisement.

Door Panels

3.05 Four glass door panels per booth are required. All door panels are of equal length and width; however, the tempered safety glass panels are available in 7/32 inch or 1/4 inch thickness.

List numbers for door panels are as follows:

- KS-14611, List 12 panel (clear laminated safety glass)
- KS-14611, List 18 panel (clear tempered safety glass 7/32 inch thick)
- KS-14611, List 75 panel (clear tempered safety glass 1/4 inch thick)

Bottom Panels

3.06 The three types of bottom panels available are louvered, solid, and solid (short). The solid (short) type leaves a space between bottom edge of panel and booth floor. This permits normal winds to help clean booth floor. Table D describes these panels.

3.07 Panel retaining strips and rubber glazing strips for mounting panels are supplied with the booth. However, these may be ordered separately when required. Refer to Table E for list numbers and description.

TABLE D**BOTTOM PANELS**

Type	Description	Location
KS-14611 L51	Louvered	List 1 Booth Side or Rear
KS-14611 L151	Louvered	List 6 Booth Side or Rear
KS-14611 L53	Solid	List 1 Booth Side or Rear
KS-14611 L153	Solid	List 6 Booth Side or Rear
KS-14611 L55	Solid (Short)	List 1 Booth Side or Rear
KS-14611 L155	Solid (Short)	List 6 Booth Side or Rear
*KS-16797 L22	Solid	List 1 Booth Rear Entrance
*KS-16797 L122	Solid	List 6 Booth Rear Entrance
*KS-16797 L23	Solid	List 1 Booth Side Entrance
*KS-16797 L123	Solid	List 6 Booth Side Entrance

* For use with L21 or L121 junction box when ground level entrance of power and telephone lines is desired.

TABLE E

PANEL RETAINING AND RUBBER GLAZING STRIPS

Panel Location	KS-16797 List No..	Panel Retaining Strip B-185371				Glazing Strip B-179367
		Top	Right	Bottom	Left	
Door		1	2	3	2	4
Side or Rear	1	5 or 8*	4	5	6	5† or B-650437††
Sign (Side)		5	7	5	9	2
Sign (Front)		11	10	13	12	1
Door		21	22	23	22	4
Side or Rear	6	25 or 28*	24	25	26	5† or B-650437††
Sign (Side)		25	27	25	29	2
Sign (Front)		31	30	33	32	1

* Used only for assembly of top window panel in the left side assembly

† Used for 7/32 inch and 1/4 inch thick panels

†† Used for 1/16 inch thick panels

4. DIRECTORY AND SHELF ARRANGEMENTS

4.01 Directory facilities in combination of a KS-16797, *List 74 directory rack* and a List 75 shelf are available (Fig.2). The rack is located in the left rear corner of the booth and is fastened to the rear cross rails and shelf. Due to the space considerations inside the booth, the size of the rack is limited to accommodate one large directory binder or any number of thin binders not exceeding 3-1/4 inches. The directory binder is secured in the rack by a hinge pin supported in a bracket which can swivel, thus permitting two degrees of freedom. This mounting allows the directory to be rotated up to reading position and the swivel action enables the user to open the directory wide enough to facilitate reading the printing adjacent to the directory binding. Gravity returns the directory to its stored position.

4.02 A KS-16797, *List 76 shelf* (Fig. 1), which extends entirely across the rear of the booth, is available when a directory rack is not used.

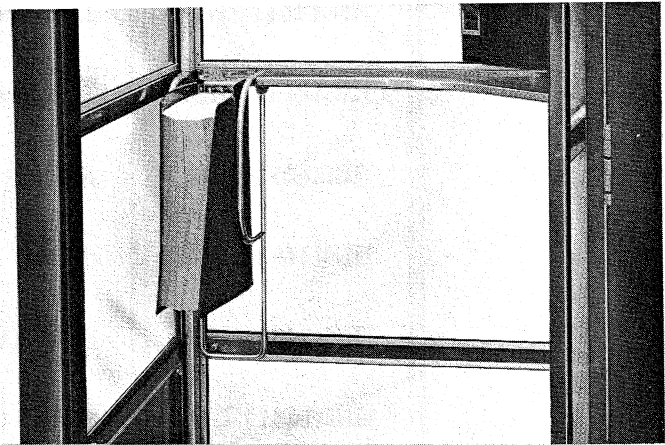


Fig. 2 — KS-16797, List 74 Directory Rack and KS-16797, List 75 Shelf

4.03 A KS-16797, *List 17 directory shelf*, Fig. 3, for indoor booths only, is designed to accommodate KS-6472 and KS-6538 directory fasteners. The rack is mounted externally on a list 20 (for list 1 booth) or list 120 (for list 6 booth) anodized aluminum mounting plate.

4.04 The list 20 mounting plate is available in all booth finishes.

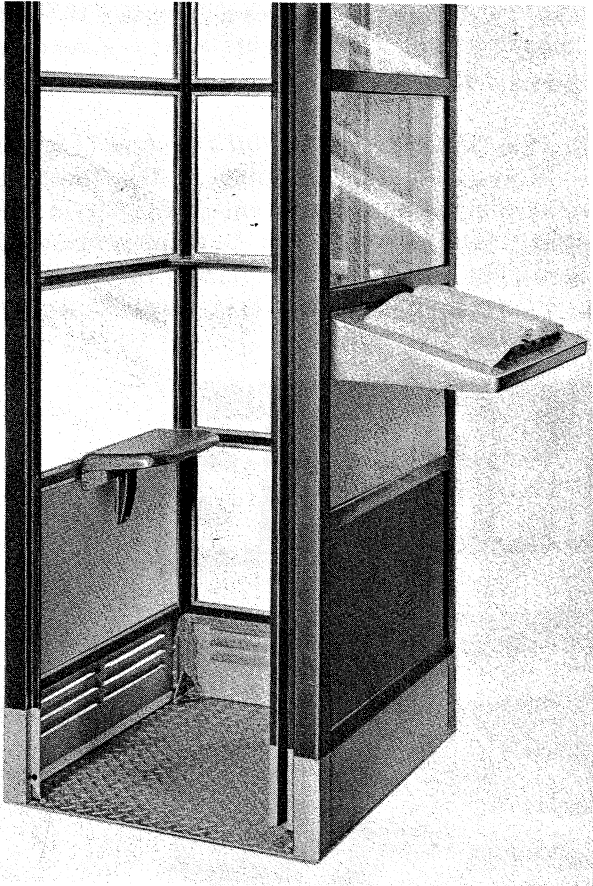


Fig. 3 — KS-16797, List 17 Directory Shelf Installed

5. HIGH POSITION SEAT (FIG. 3)

5.01 When a seat for the list 1 or list 6 booth is desired, a KS-16797, List 16 seat and a list 19 (for list 1 booth) or list 119 (for list 6 booth) anodized aluminum mounting plate is available.

5.02 The mounting plate is installed between the two lowest cross rails. The seat fastened to the mounting plate is approximately 27 inches from the floor.

5.03 The list 19 mounting plate is available in all booth finishes.

6. JUNCTION BOX (FIG. 4)

6.01 The KS-16797, List 21 (for list 1 booth) or List 121 (for list 6 booth) junction box kit can be installed in the bottom left rear corner of the booth. It is used for underground or ground level power and telephone wire entrances. The

kit includes two power leads and a divided rectangular conduit for enclosing wire from junction box to ceiling.

6.02 A double-pole single throw circuit breaker may be installed in the junction box if required. The circuit breaker must be ordered separately from Heinemann Electric Co., No. 2919, 10 amp, 120 volts ac.

6.03 Facilities are provided for mounting a 123A1A telephone protector in the junction box.

6.04 KS-16797, List 23 (for list 1 booth) or list 123 (for list 6 booth) solid bottom panels are available for use with the list 21 or 121 junction box when ground level entrance of power and telephone lines is desired. These panels must be ordered separately: the list 22 or 122 for rear entrance, and the list 23 or 123 for side entrance.

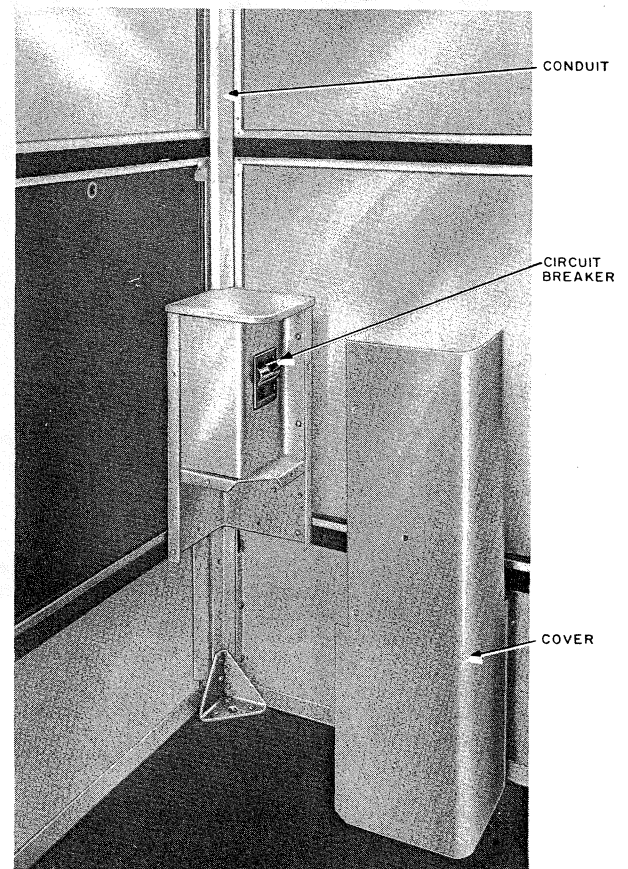


Fig. 4 — Junction Box, Cover Removed

7. KS-19207, LIST 6 LIGHT FIXTURE (FIG. 5)

7.01 The interior of this booth and the signs are illuminated from a KS-19207, List 6 ceiling light fixture with two circular 40-watt fluorescent lamps from a 115-volt ac supply (earlier booths were equipped with a B-185379 light fixture assembly). The newer KS-19207, List 6 light fixture has the advantage of rapid-start ballasts which are operative to temperatures as

low as -10° F and at voltages as low as 110 volts ac. The KS-19207, List 6 light fixture is covered in section 508-820-100.

7.02 The KS-19261, List 1 light control (Fig. 6) is available for assembly in the booth to turn the lamps on in the evening and off in the daylight. The light control will be shipped attached to booth only if specified in ordering information. The KS-19261 light control is covered in section 508-825-100.



Fig. 5 — KS-19207, List 6 Light Fixture

8. KS-16797, LIST 9 BLOWER (FIG. 7)

8.01 Booth ventilation is provided by use of a list 9 blower assembly. The assembly includes an interlock switch that is mounted in the door track to control the operation of the blower when opening and closing the booth door. A customer-controlled switch is also part of the list 9 blower assembly; this switch is mounted on

the right column behind the booth door. The list 9 blower assembly will be shipped attached to booth only if specified in ordering information.

8.02 KS-16797 booths are supplied with the low profile roof (1½-inches lower than the higher type) as the standard roof. However, when booths are equipped with the list 9 blower, the higher type roof is required.

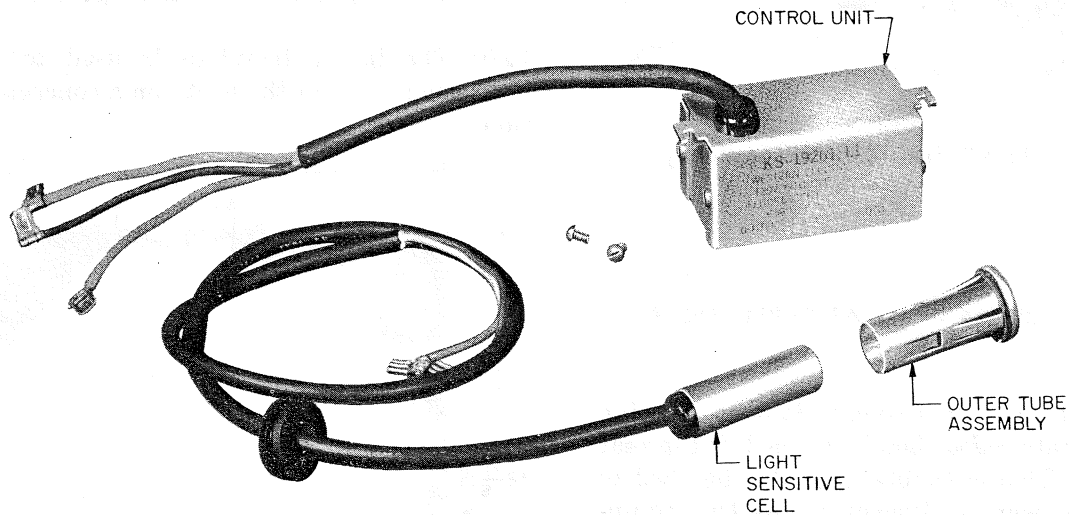


Fig. 6 — KS-19261, List 1 Light Control

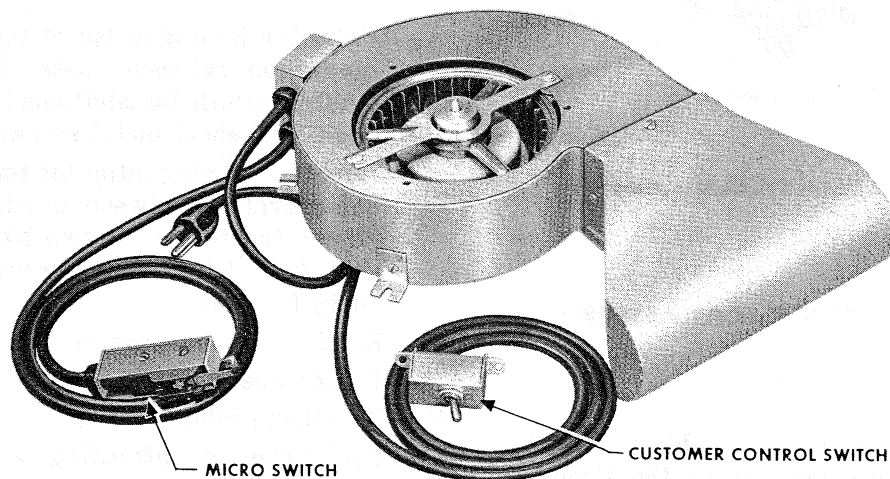


Fig. 7 — KS-16797, List 9 Blower Assembly

9. KS-16797, LIST 14 CABLE ASSEMBLY (FIG. 8)

9.01 The list 14 cable assembly is used to interconnect power to adjacent booths (equipped with list 9 blowers) in multiple installations.

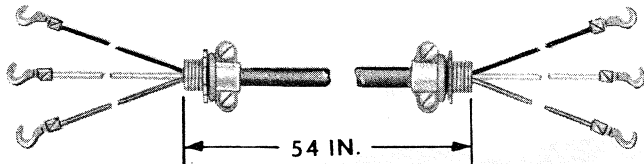


Fig. 8 — KS-16797, List 14 Cable Assembly

10. KS-16797, LIST 15 CABLE ASSEMBLY (FIG. 9)

10.01 The list 15 cable assembly is used to bring power into *indoor* booths at the left top rear of the booth. This assembly may also be used to interconnect power to adjacent booths (not equipped with list 9 blowers) in multiple installations.

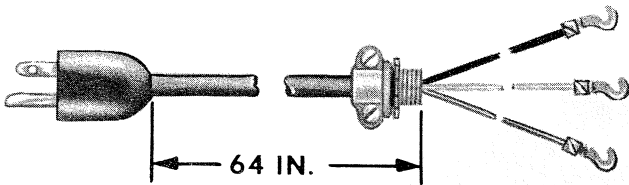


Fig. 9 — KS-16797, List 15 Cable Assembly

11. KS-14611, LIST 20 POWER CORD ASSEMBLY (FIG. 10)

11.01 The list 20 power cord assembly is used to bring power into outdoor booths through the left top rear of the booth or through the bottom panel for a ground level entrance.

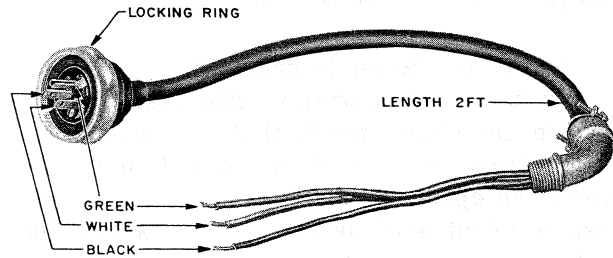
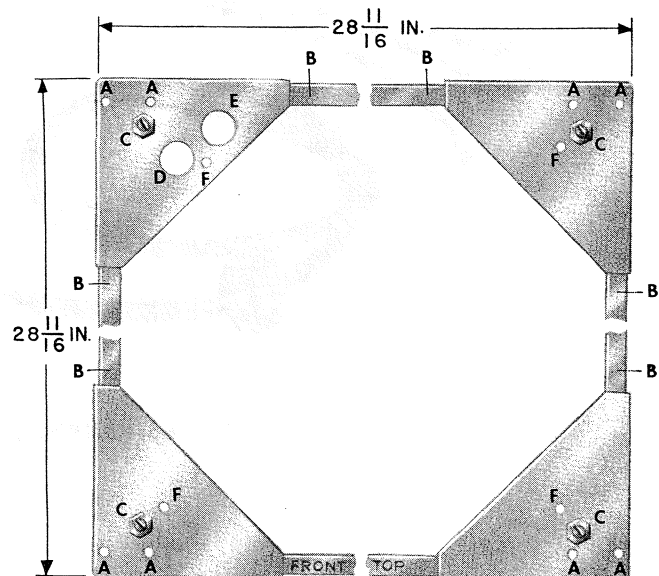


Fig. 10 — KS-14611, List 20 Power Cord

12. KS-16797, LIST 7 TEMPLATE (FIG. 11)

12.01 The list 7 template is used to facilitate mounting of the booth on a concrete foundation.



A — Holes for joining adjacent templates (where separation between booths is required) at multiple booth installations. Use steel strap and No. 8 sheet metal screws.

B — Holes for joining adjacent templates (where no separation between booths is required). Fasten together with two No. 10 (.190)-32-x1/2 inch RHM steel screws and two No. 10-32 hex nuts.

C — Booth mounting inserts.

D — Power inlet.

E — Telephone inlet.

F — Nail holes for attaching wood positioning blocks.

Fig. 11 — KS-16797, List 7 Template

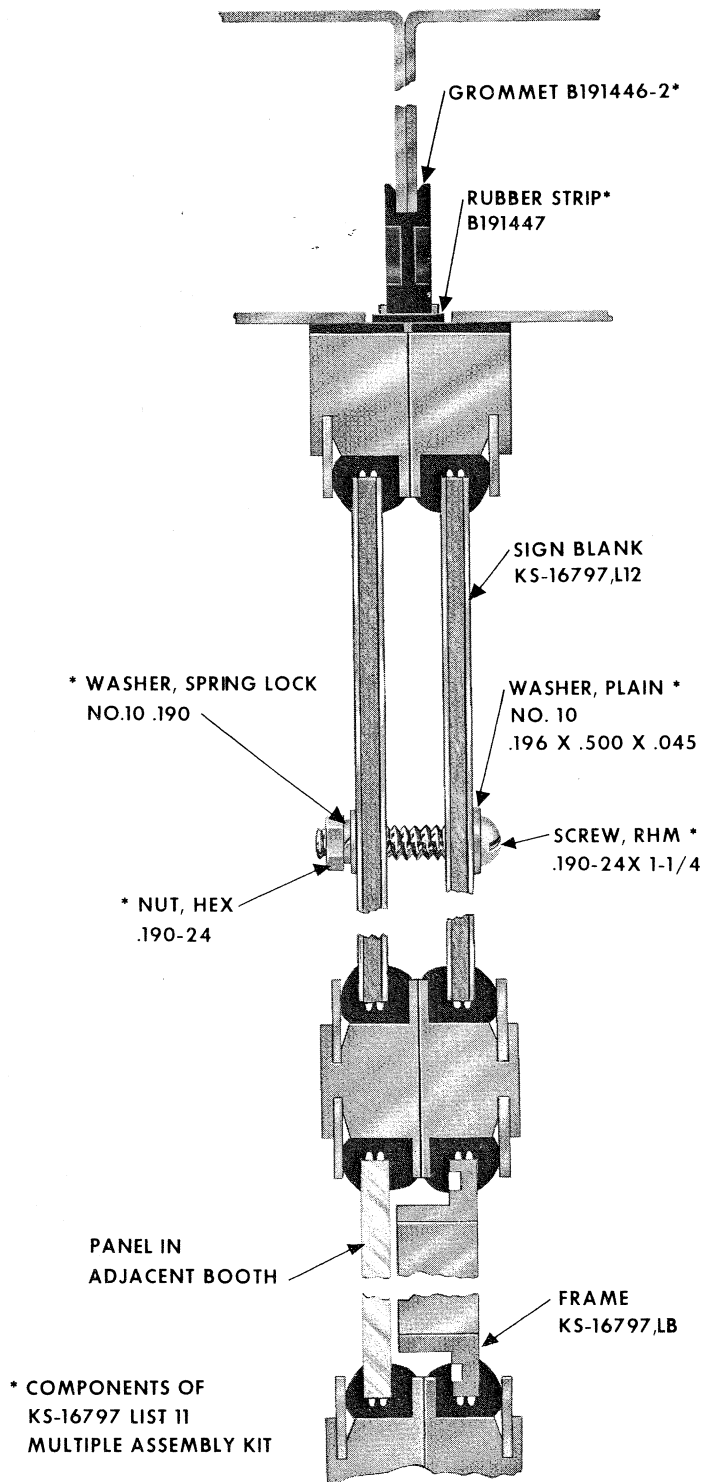


Fig. 12 — KS-16797, List 11 Multiple Assembly Kit

13. KS-16797, LIST 11 MULTIPLE ASSEMBLY KIT (FIG. 12)

13.01 The list 11 multiple booth assembly kit is used to assemble booths in multiple. Components of the kit includes grommets, screws, washers, nuts, and a rubber strip.

13.02 The list 12 sign blank used in conjunction with the list 11 multiple assembly kit, as shown in Fig. 12, permits fastening of the booths at the top.

14. KS-16797, LIST 8 OR LIST 108 WINDOW FRAME (FIG. 13)

14.01 These frames used in conjunction with the list 11 multiple assembly kit, as shown in Fig. 12, eliminate the use of double panels between booths installed in multiple assemblies.

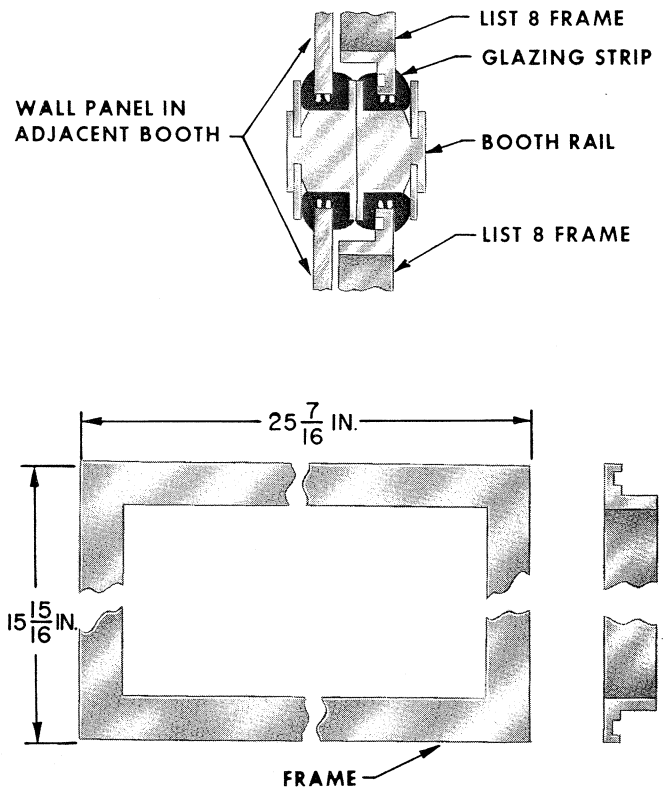


Fig. 13 — KS-16797, List 8 Window Frame